

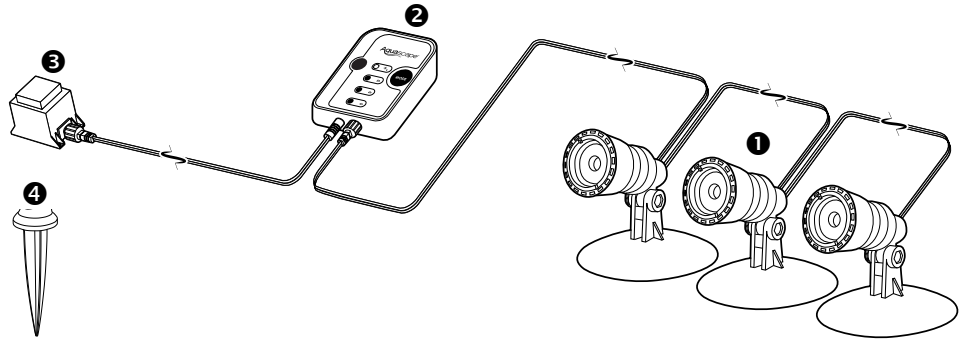


GARDEN AND POND LED SPOTLIGHT KIT

Garden and Pond LED Spotlight Kit
Item #84030



Contents	
No.	Description
1.	3 x Pre-wired 1-Watt LED Spotlights
2.	Garden and Pond Photocell with Digital Timer
3.	Garden and Pond 6-Watt 12V Quick-Connect Transformer
4.	Landscape Mounting Stakes



Instructions

STEP 1

- Place the lights in the desired location (Ex. 1).

STEP 2

- Place the photocell in an un-shaded location and connect the quick-connect fitting to the transformer (Ex. 2).

STEP 3

- Plug the transformer into an outlet that is protected by a ground fault circuit interrupter (GFCI) (Ex. 3).

STEP 4

- Connect the light connection to the photocell, select the desired timer options, and enjoy (Ex. 4).



Ex. 1



Ex. 2



Ex. 3



Ex. 4

For more information about our company or products, please visit our website at aquascapeinc.com or call us at US (866) 877-6637 or CAN (866) 766-3426