



AQUASURGE® ADJUSTABLE FLOW POND PUMP

**AquaSurge® 2000-4000
Adjustable Flow Pond Pump**
Item #45009

**AquaSurge® 4000-8000
Adjustable Flow Pond Pump**
Item #45010



aquascapeinc.com



AquaSurge® Adjustable Flow Pond Pump

Thank you for choosing the AquaSurge® Adjustable Flow Pond Pump. At Aquascape our goal is to supply our customers with the best valued products in water gardening. We hope you enjoy your purchase. Thank you for choosing Aquascape. *Your Paradise. Our Passion.®*

AquaSurge® Adjustable Flow Pond Pumps are submersible pumps made for continuous use in ponds, Pondless® Waterfalls, and other water feature applications. Asynchronous motor technology provides superior reliability and energy efficiency for year after year of reliable performance. The included Smart Pump Receiver includes an integrated control panel and makes it easy to control your pump with the Aquascape Smart Control App. This instruction manual will guide you through the proper setup and recommended maintenance procedures to ensure long-term effectiveness.



TABLE OF CONTENTS

Introduction	2
Contents	3
Safety Information	3
Specifications Chart	4
Installation	4
General Maintenance	6
Winter Application	8
Troubleshooting	8
Replacement Parts	9
Warranty Information	10

☎ Contact Us

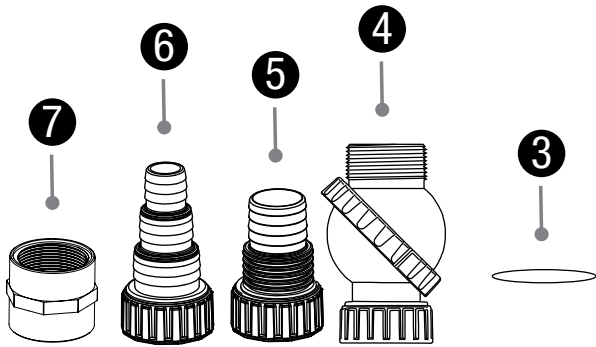
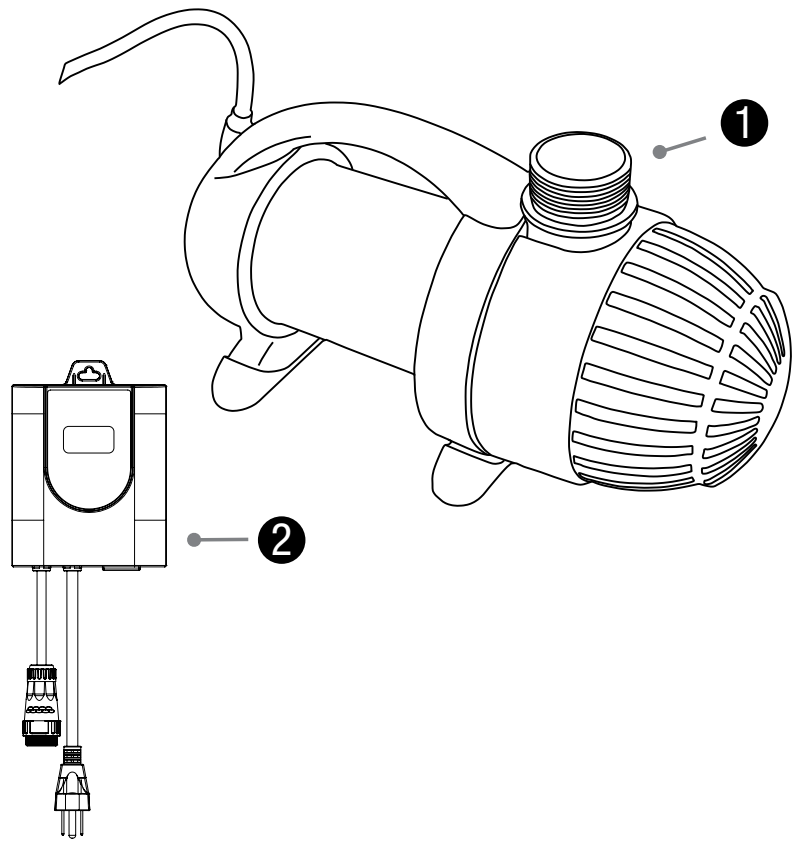
For more information about our company or products, please visit our website at aquascapeinc.com or call US (866) 877-6637 CAN (866) 766-3426.

Find us on:



facebook.com/aquascapeinc
youtube.com/aquascape4
pinterest.com/aquascapeinc

Contents	
No.	Description
1.	AquaSurge Adjustable Flow Pond Pump
2.	Smart Control Receiver
3.	Flat Rubber Gasket
4.	1.5" Rotational Ball Output
5.	Multi-hose Adapter 1.5", 2"
6.	Multi-hose Adapter 1", 1.25", 1.5"
7.	1.5" Female Adapter



Safety Information



WARNING: Risk of electric shock – This pump has not been approved for use in swimming pool or marine areas



WARNING: To provide continued protection against risk of electric shock, connect to properly grounded, ground fault circuit interrupter (GFCI) outlets only, using the following guidelines:

- (A) Have a qualified electrician install a properly grounded receptacle outlet, acceptable for outdoor use and protected from snow and rain.
- (B) Inspect cord before using.
- (C) Do not use an extension cord.
- (D) Any wiring of pumps should be performed by a qualified electrician to ensure code compliance and user safety.
- (E) Unplug pump at receptacle outlet when not in use or before removal from pond.

- (F) To reduce risk of electrical shock, all wiring and junction connections should be made per local codes. Requirements may vary depending on usage and location.
- (G) The power cable should be protected at all times to avoid punctures, cuts, bruises and abrasions.
- (H) Never handle power cords with wet hands.
- (I) Do not remove cord and strain relief. Do not connect conduit to pump.
- (J) Do not use power cable to lift pump.



- Always operate the pump fully submerged; or if using in-line ensure a constant source of fresh water. Failure to do so may overheat the pump and cause it to fail, voiding the warranty.
- Use only in fully assembled state, paying particular attention to ensure that both the outer and inner filter screens are attached to the pump. Failure to operate the pump without the filter screen will allow large debris to enter the pump and cause the pump to fail, voiding the warranty.
- Do not wear loose clothing that may become entangled in the impeller or other moving parts.
- Keep clear of suction and discharge openings. DO NOT insert fingers into pump with power connected.
- Do not pump hazardous materials or liquids, such as oil, saltwater or organic solvents.
- Do not block or restrict discharge.
- Products returned must be cleaned, sanitized, or decontaminated, as necessary, prior to shipment to ensure

that employees will not be exposed to health hazards in handling said material. All applicable laws and regulations shall apply.



IMPORTANT: Aquascape, Inc. is not responsible for losses, injury, or death resulting from a failure to observe these safety precautions, misuse or abuse of pumps or equipment.

AquaSurge Pond Pump Specifications

- Input Voltage: 120V AC
- Input Frequency: 60 Hz
- Submersible pump
- For outdoor or indoor use
- Thermally protected
- This pump has been evaluated for use with water only
- Input Amps & Wattage

AquaSurge Adjustable Flow Pond Pump Specs

Model Number	2000-4000	4000-8000
Item Number	45009	45010
Average Pond Size Recommendation	2000-4000 US Gallons	4000-8000 US Gallons
Maximum Flow Rate	3,947	7,793
Maximum Head Height	18.5'	28'
Motor Type	Asynchronous	Asynchronous
Wattage	180 - 215*	500 - 660*
Amperage	1.82	5.5
Power Cord Length	20'	20'
Discharge Hose Diameter	1", 1.25", 1.5", 2"	1", 1.25", 1.5", 2"
Warranty	3 Year Limited	3 Year Limited

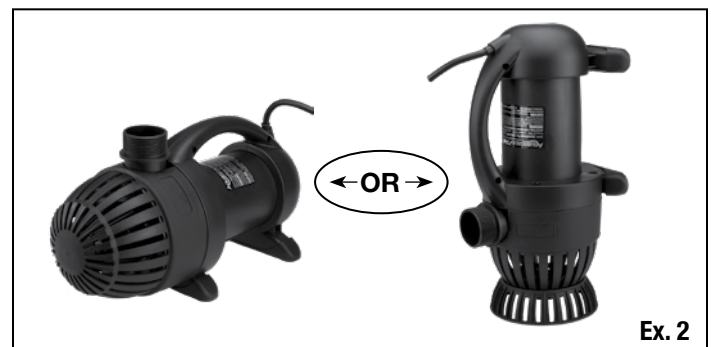
*Wattage range depending on remote control flow setting

Installation

- Do not submerge AquaSurge Adjustable Flow Pond Pump directly into the pond. The AquaSurge Adjustable Flow Pond Pump is designed to be placed inside a skimmer, Pondless® vault, sump or basin. Please consider the Aquascape AquaForce® Solids-Handling Pond Pump if your application does not have a filter and requires a pump that can be placed directly into the pond (Ex. 1).



- The AquaSurge Adjustable Flow Pond Pump is designed to be installed horizontally on the vibration and noise reducing rubber feet. The pump can also be mounted vertically, if needed, by attaching the filter stand ring on the outer filter screen, included with your pump (Ex. 2).



- The AquaSurge includes a wide assortment of fittings from which to choose. Select the appropriate fitting or fittings needed for your application.

NOTE: If using a check valve, please follow the installation instructions included with the check valve for proper plumbing steps.

- The threaded collar, on all of the fittings enables the AquaSurge pump to be installed and removed without the need for any tools (Ex. 3).



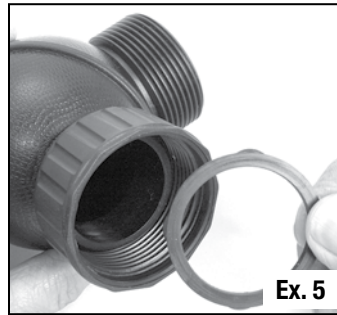
Ex. 3

NOTE: Do not use tools to install the fittings to the pump discharge. Fittings need to be only hand-tight.

- The extremely versatile rotational ball outlet provides you the ability to adjust the pump discharge to the perfect position your water feature set up requires. Loosen the threaded collar on the rotational ball and rotate to desired position (Ex. 4). A flat rubber gasket is included to ensure a hand-tight and leak-free connection. Make sure this flat rubber washer is in place before installing the fittings (Ex. 5).

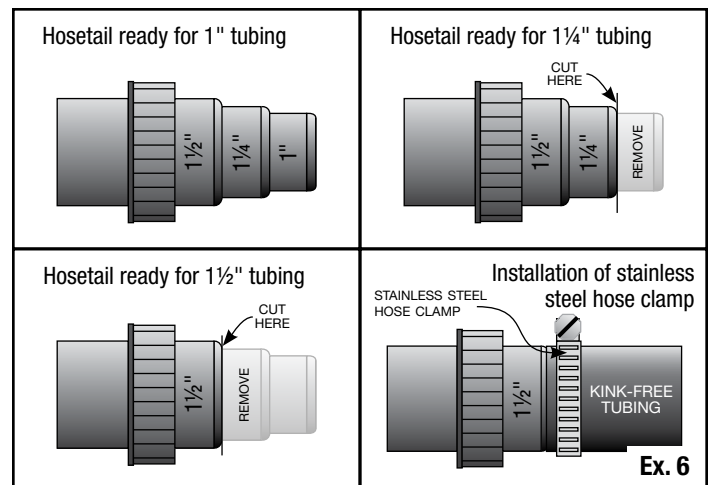


Ex. 4



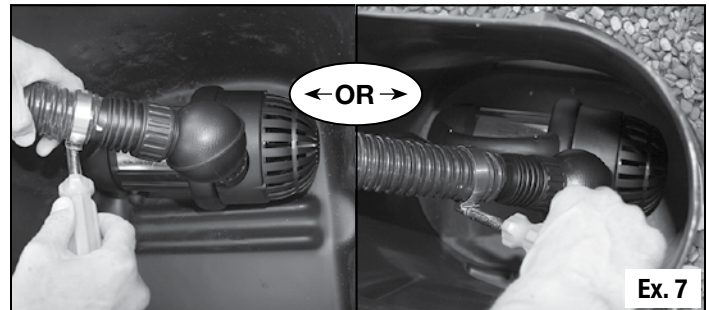
Ex. 5

- Install the right sized multi-hose adapter based on the diameter of the tubing you are using.
- If using a pipe diameter larger than the smallest section of the multi-hose adapter, trim off the smaller sections to avoid flow restriction (Ex. 6).



Ex. 6

- In some instances the tubing may be tight or difficult to connect to the fitting. If this is the case, we recommend heating the hose with a hair dryer or dipping the hose for a few seconds in very hot water. Lubrication can also be used; we recommend silicone grease or olive oil. Put the fitting on the pump before attaching the tubing/hose. Once the fitting is in place, attach the tubing/hose onto the fitting with a twisting motion.
- Lower the pump into the skimmer or Pondless filter (Ex. 7) and rotate the rotational ball output to line up with the tubing. Attach tubing to the fitting and then tighten a hose clamp (not included) to secure tubing onto the fitting.



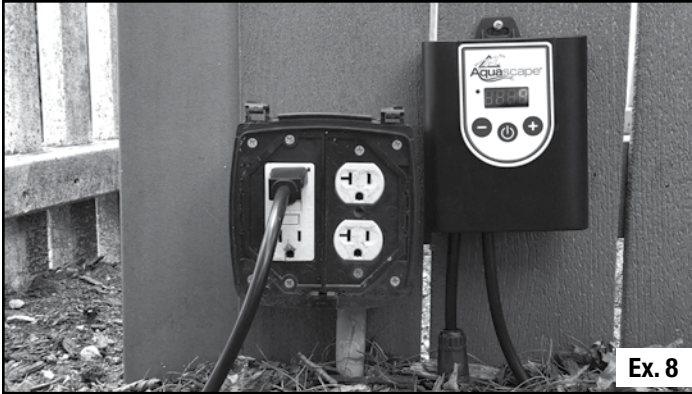
Ex. 7

In-Line Operation

- The AquaSurge pump can also be operated "in-line" by attaching a pipe connected directly from the pond (or aquarium) pump inlet. In this case the water must be pre-filtered of debris to prevent damage to the pump. The pump must NEVER be operated dry without water. This pump is water-cooled and requires water flowing through the pump at all times to operate correctly and stay cooled.

Smart Control Receiver Setup

- Mount the receiver above the ground on a post, fence, or wall.
- Connect the pump to the Smart Control Receiver.
- Plug the Smart Control Receiver into an outdoor-rated GFCI, and the unit will automatically enter pairing mode (Ex. 8).



Ex. 8

NOTE: The blinking blue light on the face of the unit indicates the receiver is in pairing mode and ready to be connected.

- Download the Aquascape Smart Control App (available on iOS or Android App Store).
- Open the Aquascape Smart Control App and click 'Create New Account' (Ex. 9).

NOTE: If you already have an account, login with your username and password.

- Once logged in, click the three dashes in the upper right-hand corner of the home screen (Ex. 10).
- Click 'Add New Device' (Ex. 11).
- Enter the Wi-Fi network and password for the network to which the unit will connect (Ex. 12).



Ex. 9



Ex. 10



Ex. 11



Ex. 12

NOTE: Adequate Wi-Fi coverage is required (2.4g networks supported)

- Continue to follow on-screen instructions to complete the pairing process.
- To reset the device to factory defaults, first turn the unit off by pressing the power button, then press and hold the + and - buttons for four seconds and release when the LED display lights up completely (Ex. 13).



Ex. 13

- The receiver includes a switch that allows the pump to be operated in the two following modes (Ex. 14).



Ex. 14

- Position 1 - Operated by Aquascape Smart Control App or remote control
- Position 2 - Bypass control, and operate at full flow-rate

- In the event of a power loss the pump will revert to the last flow-rate setting.

General Maintenance

- It is recommended to inspect your pump on a regular basis to make sure it is functioning properly.

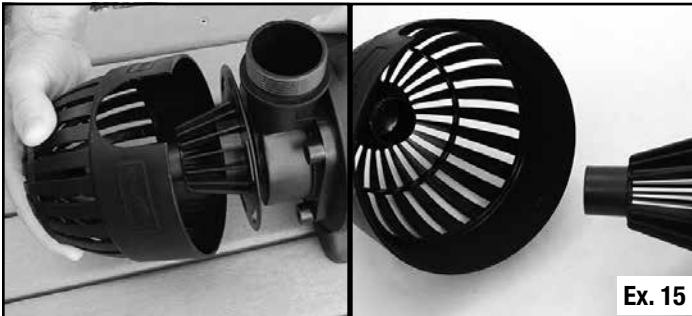
NOTE: Always disconnect the power before performing maintenance on the pump.

Filter Screen Cleaning

- A filter screen clogged with debris will reduce the water flow rate.
- Remove any existing debris from the outside of the filter screen.
- In situations with excess debris build-up, the pump screens will need to be removed for a more thorough cleaning.

NOTE: Do not remove the outer or inner filter screens while operating the pump, as failure to do so may cause the pump to fail, voiding the warranty.

- The outer screen is designed to pop off when it is gently pulled from either side (Ex. 15).



- The inner filter screen can be removed by unscrewing counterclockwise (Ex. 16).



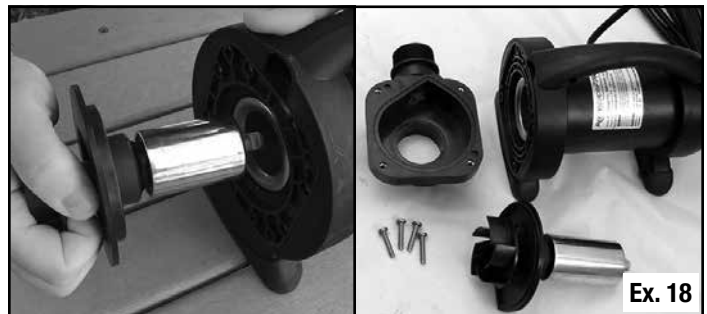
NOTE: Be sure to replace the screens before operating the pump, as failure to do so may cause the pump to fail, voiding the warranty.

Impeller/Rotor Cleaning

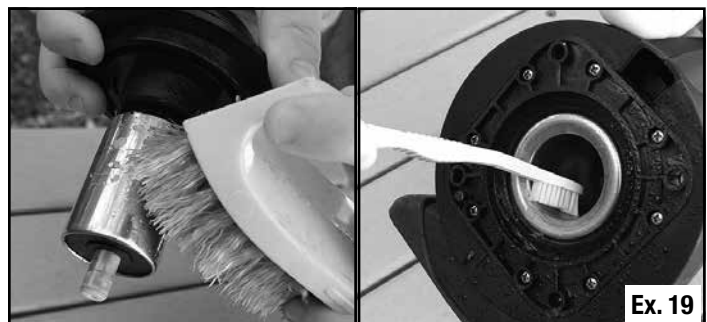
- Remove the four screws to disconnect the water chamber cover (Ex. 17).



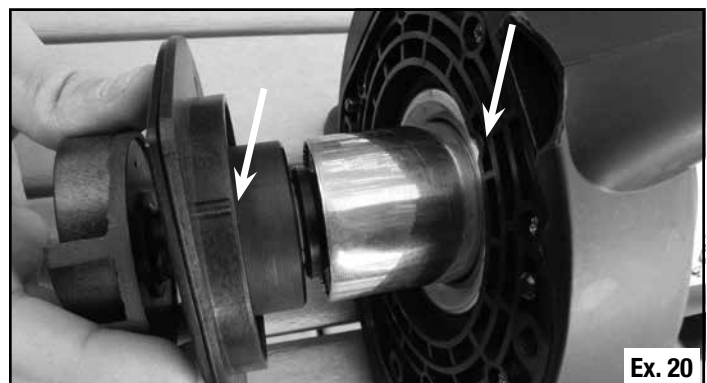
- Remove the impeller by pulling gently (Ex. 18).



- Clean the impeller and internal pump body with Aquascape Pump Cleaner Maintenance Solution (#91143), using a sponge or soft-bristle brush (Ex. 19).



- Re-install the impeller, making sure the gasket is in place and the raised key on the impeller flange is aligned with the matching notch in the face of the pump flange (Ex. 20).



Winter Application

- If running through winter conditions, check regularly to make sure it is functioning properly and ice is not preventing water from reaching the pump. In the event of a power failure, the pump should be removed to prevent any freeze damage to the pump or the piping.
 - If concerned about possible freeze damage, disconnect and remove the pump. Be careful not to lose the flat rubber washer. Clean with fresh water and store the pump in a frost-free location. If needed, use Aquascape Pump Cleaner Maintenance Solution (#91143) to remove excessive buildup.
-

Troubleshooting

- Reduced water flow
 - Check the outer and inner filter screens
- Pump hums but doesn't push water
 - The pump or plumbing may be clogged
 - Make sure nothing is blocking the intake
 - Clean the inner and outer screens
 - Clean the impeller rotor assembly and internal pump body
 - Make sure the pump is receiving the correct voltage
 - Make sure the impeller blades are not worn or damaged
- Pump not working
 - Ground fault circuit interrupter (GFCI) may have tripped
 - The pump is not receiving the correct voltage
- Device won't pair
 - Make sure the outlet is receiving power
 - Make sure you have adequate wireless coverage to connect the device
 - Reset the device to factory defaults
 - Make sure the ground fault circuit interrupter (GFCI) is not tripped

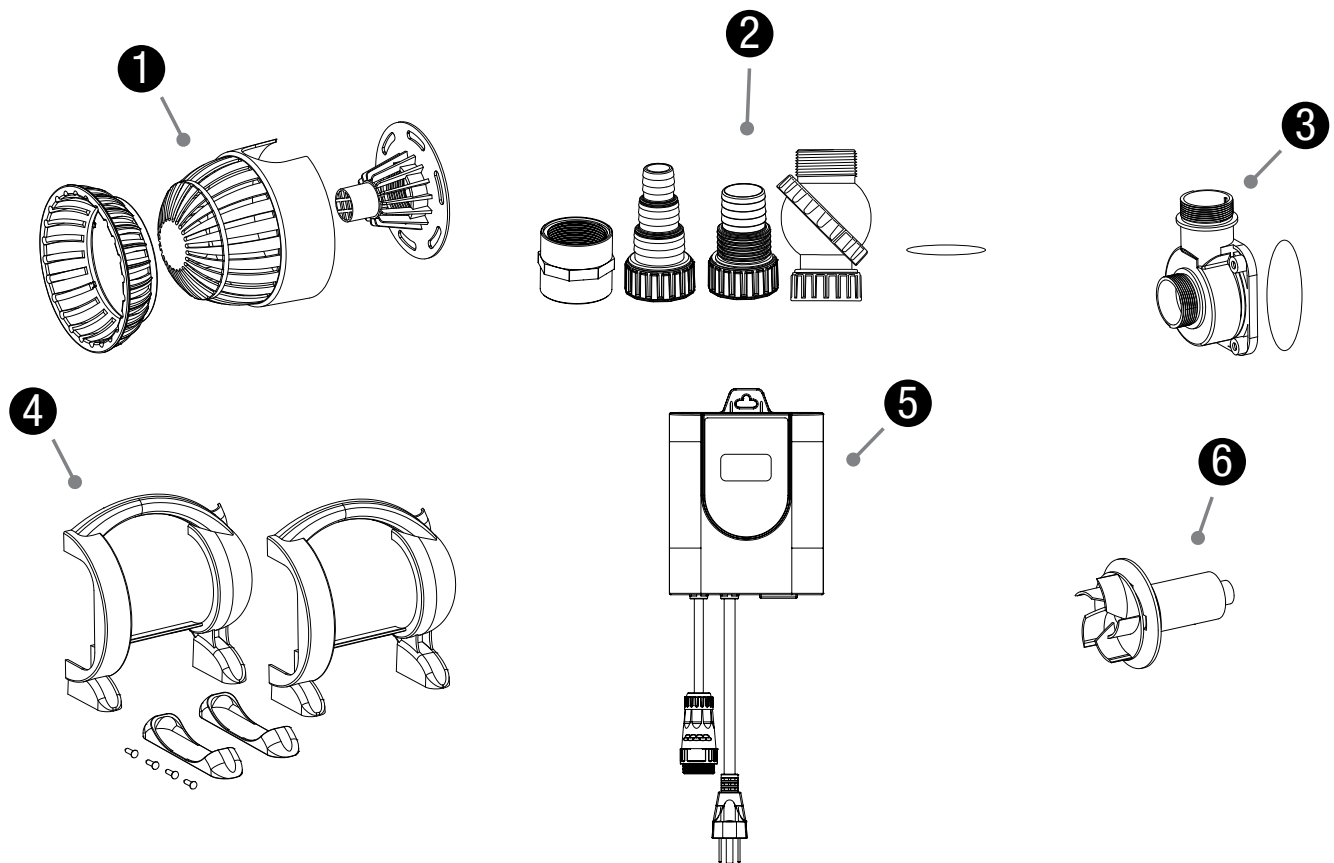
Replacement Parts

AquaSurge 2000-4000 Adjustable Flow Pond Pump Replacement Parts

No.	Item number/description
1.	91064 - AquaSurge 2000-4000 (G2) Intake Screen Kit
2.	91065 - AquaSurge (G2) Discharge Fitting Kit
3.	91067 - AquaSurge 4000/5000 (G2) Water Chamber Cover & O-Ring Kit
4.	91069 - AquaSurge 4000/5000 (G2) Pump Handle and Feet Kit
5.	45038 - Smart Control Receiver
6.	45016 - AquaSurge 2000-4000 Adjustable Flow Replacement Impeller Kit

AquaSurge 4000-8000 Adjustable Flow Pond Pump Replacement Parts

No.	Item number/description
1.	45011 - AquaSurge 4000-8000 Adjustable Flow Intake Screen Kit
2.	91065 - AquaSurge (G2) Discharge Fitting Kit
3.	45014 - AquaSurge 4000-8000 Adjustable Flow Water Chamber Cover & O-Ring Kit
4.	45012 - AquaSurge 4000-8000 Adjustable Flow Pump Handle & Feet Kit
5.	45038 - Smart Control Receiver
6.	45017 - AquaSurge 4000-8000 Adjustable Flow Replacement Impeller Kit



Warranty Information

3 YEAR WARRANTY

The AquaSurge® Adjustable Flow Pond Pump is guaranteed for three years from date of purchase. Proof of purchase required. Warranty does not cover damage resulting from negligent handling, misuse, or lack of reasonable maintenance for care. This pump is designed for use in freshwater, non-chlorinated applications only. Warranty is valid against defect due to material and the company's workmanship only. The sole obligation shall be to replace the defective unit with a suitable replacement unit. Units should be checked for proper operation prior to returning as defective. No liability for loss or damage of any nature or kind, whether arising out of or from the use of the product, whether defective or not defective, is assumed by Aquascape, Inc. or its affiliates.

For more information about our company or products, please visit our website at aquascapeinc.com
or call us at US (866) 877-6637 CAN (866) 766-3426



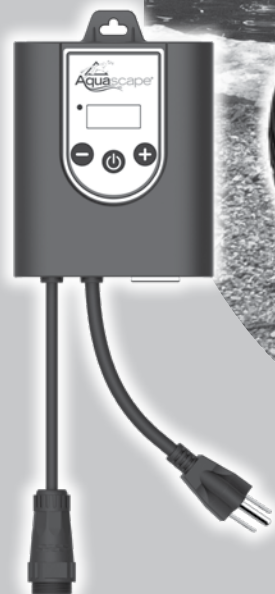
AQUASURGE^{MD} DÉBIT RÉGLABLE POMPE DE POND

AquaSurge^{MD} 2000-4000
Pompe de bassin à
débit réglable

Référence #45009

AquaSurge^{MD} 4000-8000
Pompe de bassin à
débit réglable

Référence #45010



aquascapeinc.com



AquaSurge^{MD}

Pompe de bassin à débit réglable

Nous vous remercions d'avoir choisi la pompe de bassin à débit réglable AquaSurge^{MD}.

Chez Aquascape, notre objectif est de fournir à nos clients les meilleurs produits de jardinage aquatique. Nous espérons que vous profiterez bien de votre achat. Nous vous remercions d'avoir choisi Aquascape. *Votre Paradis. Notre Passion.^{MD}*

Les pompes de bassin à débit ajustable AquaSurge^{MD} sont des pompes submersibles conçues pour une utilisation continue dans les étangs, les cascades Pondless^{MD} et autres applications de fonctions aquatiques. La technologie de moteur asynchrone offre une fiabilité et une efficacité énergétique supérieures pour des performances fiables, année après année. Le récepteur de pompe intelligent inclus comprend un panneau de commande intégré et facilite le contrôle de votre pompe avec l'application Aquascape Smart Control. Ce manuel d'instructions vous guidera à travers la configuration appropriée et les procédures de maintenance recommandées pour efficacité à long terme.



TABLE DES MATIÈRES

Introduction	12
Contenu	13
Renseignements de sécurité	13
Tableau des caractéristiques	14
Installation	14
Entretien général	16
Application d'hiver	18
Dépannage.....	18
Pièces de rechange	19
Informations sur la garantie	20

☎ **Communiquez avec nous**

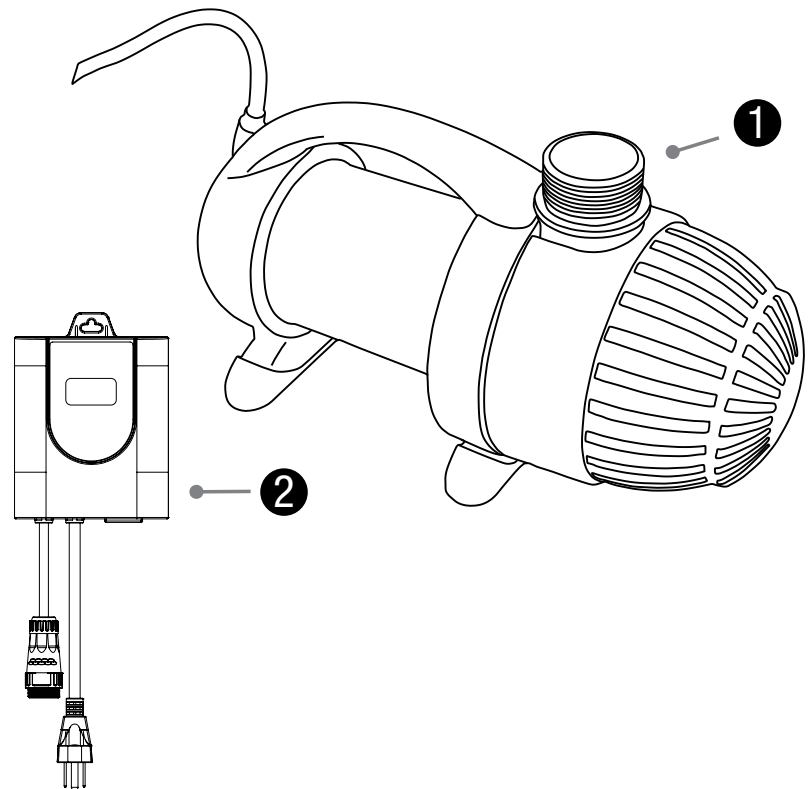
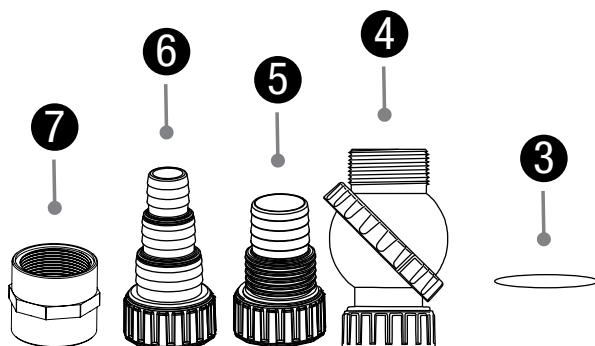
Pour plus de renseignements sur notre entreprise ou nos produits, veuillez vous rendre sur notre site Web aquascapeinc.com ou appeler le (866) 877-6637 (aux É.-U.) ou le (866) 766-3426 (au Canada).

Rejoignez-nous sur :



facebook.com/aquascapeinc
youtube.com/aquascape4
pinterest.com/aquascapeinc

Contenu	
N°	Description
1.	Pompe de bassin à débit réglable AquaSurge
2.	Récepteur Smart Control
3.	Joint statique plat en caoutchouc
4.	Sortie à rotule orientable 1,5 po
5.	Raccord réducteur 1,5 po, 2 po
6.	Raccord réducteur 1 po, 1,25 po, 1,5 po
7.	Adaptateur femelle 1,5 po



Renseignements de sécurité



MISE EN GARDE : risque de choc électrique – Cette pompe n'a pas été approuvée pour une utilisation en piscine ou en zones marines.



MISE EN GARDE : Afin d'assurer une protection continue contre le risque de décharge électrique, ne branchez le cordon qu'à une prise d'alimentation avec mise à la terre, en observant les directives suivantes :

- (A) Faites installer une prise de courant correctement mise à la terre convenant à une utilisation extérieure et protégée de la neige et de la pluie
- (B) Inspectez le cordon d'alimentation avant l'utilisation
- (C) N'utilisez pas de rallonge électrique
- (D) Tout câblage relié à la pompe devrait être exécuté par un électricien qualifié pour être en conformité avec les normes et s'assurer de la sécurité de l'utilisateur
- (E) Débranchez la pompe de la prise de courant lorsque vous ne vous en servez pas ou avant de la sortir du plan d'eau
- (F) Pour réduire le risque de décharge électrique, tout le câblage et les raccordements de jonction

devraient être exécutés selon les normes locales. Les exigences peuvent varier en fonction de l'utilisation et de l'emplacement

- (G) Le câble électrique devrait être protégé en tout temps pour éviter les perforations, les coupures, les ecchymoses et les abrasions
- (H) Ne manipulez jamais les cordons d'alimentation avec les mains humides
- (I) N'enlevez pas le cordon et le dispositif de réduction de la tension. Ne joignez pas le conduit à la pompe
- (J) Ne soulevez pas la pompe par le cordon d'alimentation



- Faites fonctionner la pompe uniquement lorsqu'elle est entièrement submergée; ou si vous l'utilisez sans l'immerger, assurez-vous de maintenir une source constante d'eau douce. Ne pas faire ceci entraînera un surchauffement de la pompe et causera une défaillance de fonctionnement annulant ainsi la garantie.
- N'utilisez que lorsque la pompe est entièrement assemblée, prêtant une attention particulière aux grilles de filtration tant extérieures qu'intérieures pour s'assurer qu'elles soient fixées à la pompe. Faire fonctionner la pompe sans la grille de filtration permettra à des débris de grande taille d'entrer dans la pompe entraînant ainsi sa défaillance et annulant de ce fait la garantie.
- Ne portez pas de vêtements amples qui peuvent s'empêtrer dans la turbine ou dans d'autres pièces en mouvement.
- Tenez-vous en permanence à l'écart des ouvertures d'aspiration et de refoulement. NE PAS insérer les doigts dans la pompe quand elle est branchée sur une source d'alimentation électrique.
- Ne pompez pas de matières dangereuses ou des liquides, tels que l'huile, l'eau salée ou les solvants biologiques.
- Ne bloquez ni ne restreignez la sortie de la pompe.

- Les produits retournés doivent être nettoyés, désinfectés ou décontaminés au besoin, avant l'expédition pour s'assurer que les employés ne soient pas exposés à des risques pour la santé lors de la manutention dudit matériel. Toutes lois et tous règlements en vigueur seront applicables.



IMPORTANT : *Aquascape inc. n'est nullement responsable des pertes, blessures ou décès résultant du non-respect de ces consignes, d'une mauvaise utilisation ou d'une utilisation abusive de la pompe ou de l'équipement.*

Spécifications de la pompe de bassin AquaSurge

- Tension d'entrée : 120 V c.a.
- Fréquence d'entrée : 60 Hz
- Pompe submersible
- Pour utilisation extérieure ou intérieure
- Protection thermique
- Pompe évaluée en utilisation avec de l'eau seulement
- Intensité de courant d'entrée et puissance en watts

Spécifications de la pompe de bassin à débit réglable AquaSurge

Numéro de modèle	2000-4000	4000-8000
Référence	45009	45010
Taille moyenne de bassin recommandée	2 000 à 4 000 gallons US	4 000 à 8 000 gallons US
Débit maximal	3 947	7 793
Hauteur de chute d'eau maximale	18,5 pi	28 pi
Type de moteur	Asynchrone	Asynchrone
Puissance en watts	180 - 215*	500 - 660*
Intensité en ampères	1,82	5,5
Longueur du cordon d'alimentation	20 pi	20 pi
Diamètre du tuyau de refoulement	1 po, 1,25 po, 1,5 po, 2 po	1 po, 1,25 po, 1,5 po, 2 po
Garantie	Limitée de 3 ans	Limitée de 3 ans

*Plage de puissances en fonction du réglage du débit par télécommande

Installation

- Ne pas immerger la pompe de bassin à débit réglable AquaSurge directement dans le bassin. La pompe de bassin à débit réglable AquaSurge est conçue pour être placée dans un skimmer, une chambre forte Pondless^{MD}, un puisard ou un bassin. Veuillez considérer la pompe de bassin Aquascape AquaForce^{MD} pour le traitement des solides si votre application ne possède pas de filtre et nécessite une pompe pouvant être placée directement dans l'étang (Ex. 1).



- La pompe de bassin à débit réglable AquaSurge est conçue pour être installée horizontalement sur les pieds en caoutchouc réduisant les vibrations et le bruit. La pompe peut également être montée verticalement, si nécessaire, en fixant la bague de support de filtre sur le filtre extérieur, inclus avec votre pompe (Ex. 2).



- L'AquaSurge comprend un large assortiment de raccords parmi lesquels choisir. Sélectionnez le ou les raccords appropriés à votre application.

REMARQUE : Si vous utilisez un clapet anti-retour, veuillez suivre les instructions d'installation fournies avec le clapet anti-retour pour connaître les étapes de plomberie appropriées.

- Le collier fileté de tous les raccords permet d'installer et de retirer la pompe AquaSurge sans aucun outil (Ex. 3).



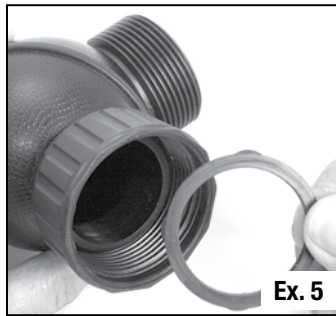
Ex. 3

REMARQUE : Ne pas utiliser d'outils pour installer les raccords sur le refoulement de la pompe. Les raccords doivent être serrés à la main.

- La sortie de balle rotative extrêmement polyvalente vous offre la possibilité d'ajuster le débit de la pompe à la position idéale requise par votre configuration d'eau. Desserrez le collier fileté de la balle rotative et faites-le pivoter jusqu'à la position souhaitée (Ex. 4). Un joint en caoutchouc plat est inclus pour assurer une connexion étanche et sans fuite. Assurez-vous que cette rondelle en caoutchouc plate est en place avant d'installer les raccords (Ex. 5).

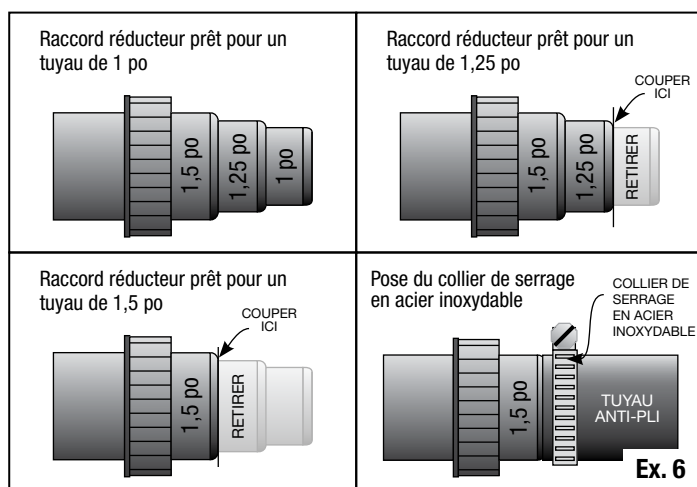


Ex. 4



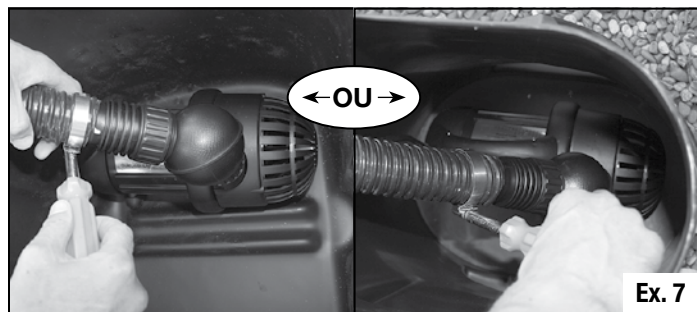
Ex. 5

- Installez l'adaptateur pour flexibles multiples de la bonne taille en fonction du diamètre du tuyau que vous utilisez.
- Si vous utilisez un diamètre de tuyau supérieur à la plus petite section de l'adaptateur pour flexibles multiples, coupez les plus petites sections afin d'éviter toute restriction de débit (Ex. 6).



Ex. 6

- Dans certains cas, le tube peut être serré ou difficile à connecter au raccord. Dans ce cas, nous vous recommandons de chauffer le tuyau avec un sèche-cheveux ou de le plonger quelques secondes dans de l'eau très chaude. La lubrification peut également être utilisée. nous recommandons la graisse de silicone ou l'huile d'olive. Placez le raccord sur la pompe avant de raccorder le tuyau / flexible. Une fois que le raccord est en place, fixez le tuyau / flexible sur le raccord avec un mouvement de torsion.
- Abaissez la pompe dans le skimmer ou le filtre Pondless (Ex. 7) et faites pivoter la sortie de la balle rotative pour l'aligner avec le tube. Fixez la tubulure au raccord puis serrez un collier de serrage (non fourni) pour fixer la tubulure au raccord.



Ex. 7

Opération en ligne

- La pompe AquaSurge peut également être utilisée «en ligne» en raccordant un tuyau raccordé directement à l'entrée de la pompe de l'étang (ou de l'aquarium). Dans ce cas, l'eau doit être pré-filtrée de débris pour éviter d'endommager la pompe. La pompe ne doit JAMAIS être utilisée à sec sans eau. Cette pompe est refroidie à l'eau et nécessite à tout moment que de l'eau passe dans la pompe pour fonctionner correctement et rester refroidie.

Configuration du récepteur Smart Control

- Montez le récepteur au-dessus du sol sur un poteau, une clôture ou un mur.
- Connectez la pompe au récepteur de contrôle intelligent.
- Branchez le récepteur Smart Control dans un GFCI homologué pour l'extérieur et l'appareil entrera automatiquement en mode de jumelage (Ex. 8).



Ex. 8

REMARQUE : Le voyant bleu clignotant sur la face avant de l'appareil indique que le récepteur est en mode d'appairage et prêt à être connecté.

- Téléchargez l'application Aquascape Smart Control (disponible sur iOS ou Android App Store)
- Ouvrez l'application Aquascape Smart Control et cliquez sur "Créer un nouveau compte" (Ex. 9).

REMARQUE : Si vous avez déjà un compte, connectez-vous avec votre nom d'utilisateur et votre mot de passe.

- Une fois connecté, cliquez sur les trois tirets dans le coin supérieur droit de l'écran d'accueil (Ex. 10).
- Cliquez sur 'Ajouter un nouveau périphérique' (Ex. 11).
- Entrez le réseau Wi-Fi et le mot de passe du réseau auquel l'unité sera connectée (Ex. 12).



Ex. 9



Ex. 10



Ex. 11



Ex. 12

REMARQUE : Une couverture Wi-Fi adéquate est requise (2,4 g réseaux pris en charge)

- Continuez à suivre les instructions à l'écran pour terminer le processus de jumelage.
- Pour rétablir les paramètres d'usine par défaut, éteignez d'abord l'appareil en appuyant sur le bouton d'alimentation, puis maintenez les boutons + et - enfoncés pendant quatre secondes, puis relâchez-les lorsque l'écran à DEL est complètement allumé (Ex. 13).



Ex. 13

- Le récepteur comprend un commutateur qui permet de faire fonctionner la pompe dans les deux modes suivants (Ex. 14).



Ex. 14

Position 1 - Exploité par l'application Aquascape Smart Control ou par télécommande

Position 2 - Commande de dérivation et fonctionnement à plein débit

- En cas de panne de courant, la pompe revient au dernier réglage de débit.

Entretien général

- Il est recommandé d'inspecter régulièrement votre pompe pour vous assurer qu'elle fonctionne correctement.

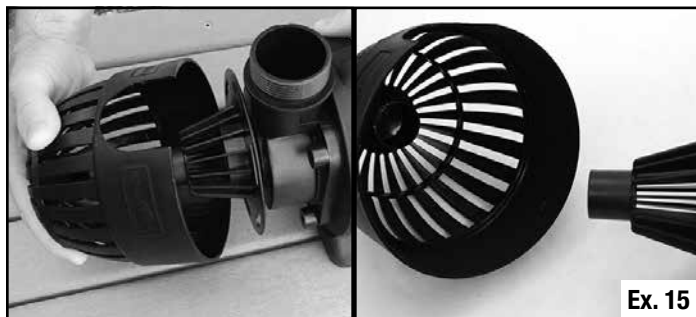
REMARQUE : Toujours déconnecter l'alimentation avant de procéder à la maintenance de la pompe.

Nettoyage des filtres

- Un tamis filtre obstrué par des débris réduira le débit d'eau.
- Retirez tous les débris existants de l'extérieur de l'écran du filtre.
- En cas d'accumulation excessive de débris, les filtres de la pompe devront être retirés pour un nettoyage plus en profondeur.

REMARQUE : Ne retirez pas les tamis filtrants extérieur ou intérieur pendant le fonctionnement de la pompe, faute de quoi la pompe pourrait tomber en panne, ce qui annulerait la garantie.

- L'écran extérieur est conçu pour sortir lorsqu'il est doucement tiré d'un côté ou de l'autre (Ex. 15).



- Le filtre interne peut être retiré en dévissant dans le sens antihoraire (Ex. 16).



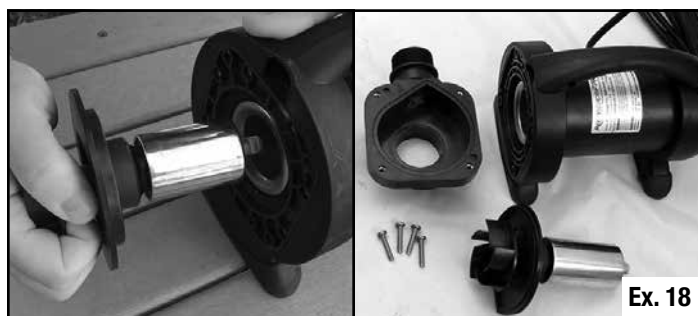
REMARQUE : Assurez-vous de remplacer les tamis avant de faire fonctionner la pompe, faute de quoi la pompe pourrait tomber en panne, ce qui annulerait la garantie.

Nettoyage de roue / rotor

- Retirez les quatre vis pour déconnecter l'eau couvercle de chambre (Ex. 17).



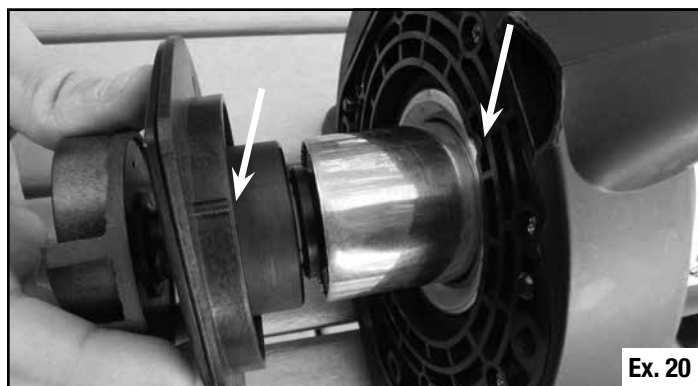
- Retirer la roue en tirant doucement (Ex. 18).



- Nettoyer la turbine et le corps de pompe interne avec la solution d'entretien pour nettoyant de pompe Aquascape (n° 91143) à l'aide d'une éponge ou d'une brosse à soies souples (Ex. 19).



- Réinstallez la roue en vous assurant que le joint est en place et que la clé surélevée de la bride de la roue est alignée sur l'encoche correspondante sur la face de la bride de la pompe (Ex. 20).



Application d'hiver

- Si vous courez dans des conditions hivernales, vérifiez régulièrement qu'il fonctionne correctement et que la glace n'empêche pas l'eau d'atteindre la pompe. En cas de panne de courant, la pompe doit être retirée pour éviter tout dommage dû au gel de la pompe ou de la tuyauterie.
- Si vous craignez des dégâts dus au gel, débranchez et retirez la pompe. Veillez à ne pas perdre la rondelle plate en caoutchouc. Nettoyez à l'eau douce et rangez la pompe dans un endroit à l'abri du gel. Si nécessaire, utilisez la solution d'entretien Aquascape Pump Cleaner (n ° 91143) pour éliminer les accumulations excessives.

Dépannage

- Débit d'eau réduit
 - Vérifiez les filtres extérieurs et intérieurs
- La pompe bourdonne mais ne pousse pas l'eau
 - La pompe ou la plomberie est peut-être bouchée
 - Assurez-vous que rien ne bloque l'apport
 - Nettoyer les écrans intérieurs et extérieurs
 - Nettoyer le rotor et le corps de pompe interne
 - Assurez-vous que la pompe reçoit la tension correcte
 - Assurez-vous que les pales de la turbine ne sont ni usées ni endommagées
- La pompe ne fonctionne pas
 - Le disjoncteur de fuite à la terre (GFCI) s'est peut-être déclenché
 - La pompe ne reçoit pas la tension correcte
- L'appareil ne sera pas jumelé
 - Assurez-vous que la prise est alimentée
 - Assurez-vous de disposer d'une couverture sans fil adéquate pour connecter l'appareil
 - Réinitialiser l'appareil aux paramètres d'usine
 - Assurez-vous que le disjoncteur de fuite à la terre (GFCI) n'est pas déclenché

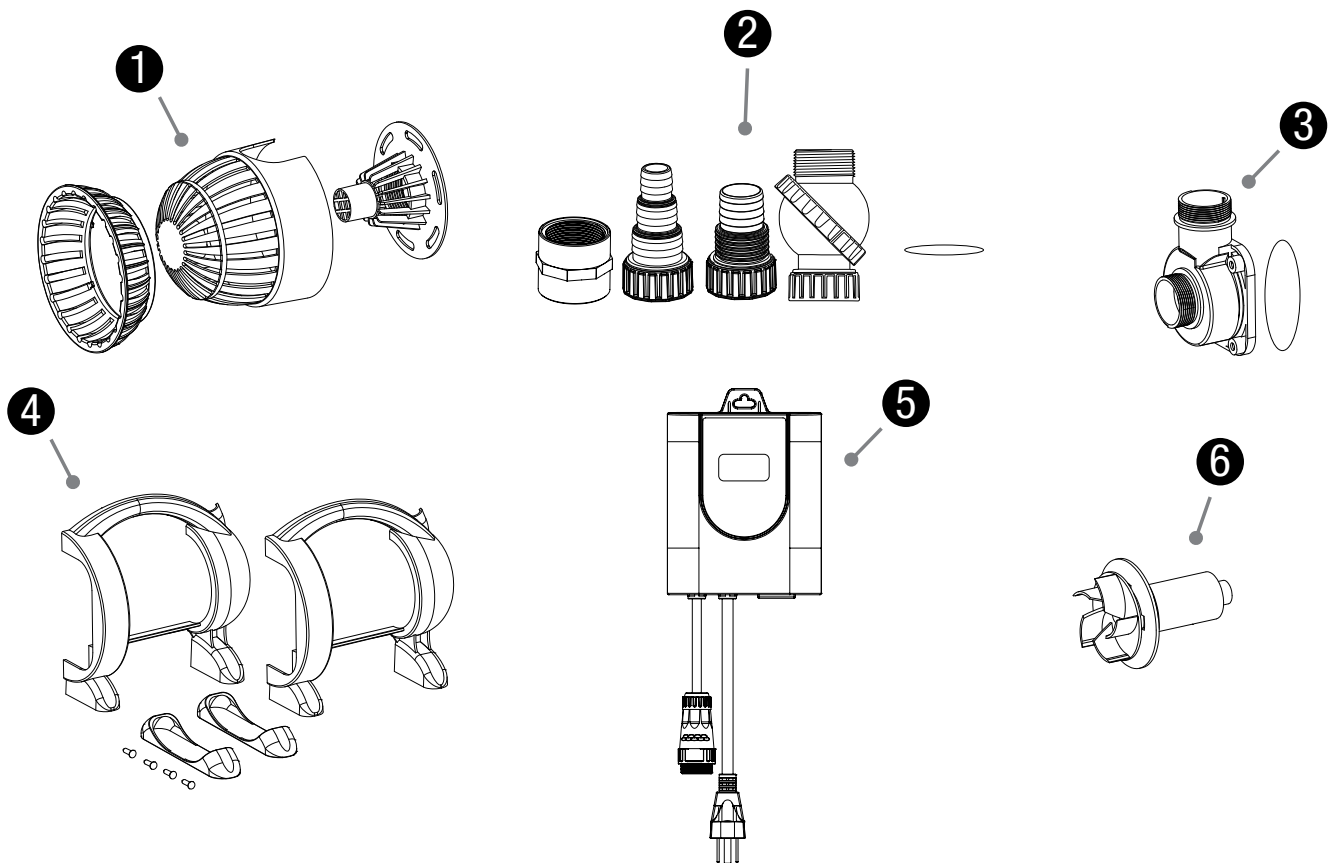
Pièces de rechange

Pièces de rechange pour pompes de bassin AquaSurge 2000-4000 à débit réglable

N°	Référence/description
1.	91064 - Crépine d'entrée prête-à-monter (G2) 2000-4000 AquaSurge
2.	91065 - Raccord de refoulement prêt-à-monter (G2) AquaSurge
3.	91067 - Couverture de chambre à eau et joint torique prêts-à-monter (G2) 4000/5000 AquaSurge
4.	91069 - Poignée et pieds de pompe prêts-à-monter (G2) 4000/5000 AquaSurge
5.	45038 - Récepteur Smart Control
6.	45016 - Turbine de rechange prête-à-monter pour pompes à débit réglable 2000-4000 AquaSurge

Pièces de rechange pour pompe de bassin AquaSurge 4000-8000 à débit réglable

N°	Référence/description
1.	45011 - Crépine d'entrée prête-à-monter pour pompes à débit réglable 4000-8000 AquaSurge
2.	91065 - Raccord de refoulement prêt-à-monter (G2) AquaSurge
3.	45014 - Couverture de chambre à eau et joint torique prêts-à-monter pour pompes à débit réglable 4000-8000 AquaSurge
4.	45012 - Poignée et pieds prêts-à-monter pour pompes à débit réglable 4000-8000 AquaSurge
5.	45038 - Récepteur Smart Control
6.	45017 - Turbine de rechange prête-à-monter pour pompes à débit réglable 4000-8000 AquaSurge



Informations sur la garantie

GARANTIE DE TROIS ANS

La pompe de bassin à débit réglable AquaSurge^{MD} est garantie trois ans à compter de la date d'achat. Une preuve d'achat est exigée. La garantie ne couvre pas les dégâts résultant de la négligence de manutention, d'une mauvaise utilisation, ou de l'entretien ou de soins défectueux. Cette pompe est conçue pour une utilisation dans les applications d'eau douce, non chlorées. La garantie est valable contre les défauts dans les matériaux et les défauts de fabrication seulement. Le remplacement de l'unité défectueuse par une unité de rechange appropriée sera la seule obligation. Les unités devront être vérifiées afin de s'assurer de leur bon fonctionnement avant de les retourner en tant qu'unité défectueuse. Aquascape inc. ou ses filiales n'assumeront aucune responsabilité en cas de perte ou de dégâts de n'importe quelle nature, provenant ou résultant de l'utilisation du produit, défectueux ou non.

Pour plus de renseignements sur notre entreprise ou nos produits, veuillez vous rendre sur notre site Web aquascapeinc.com ou nous appeler au (866) 877-6637 (aux É.-U.) ou au (866) 766-3426 (au Canada).